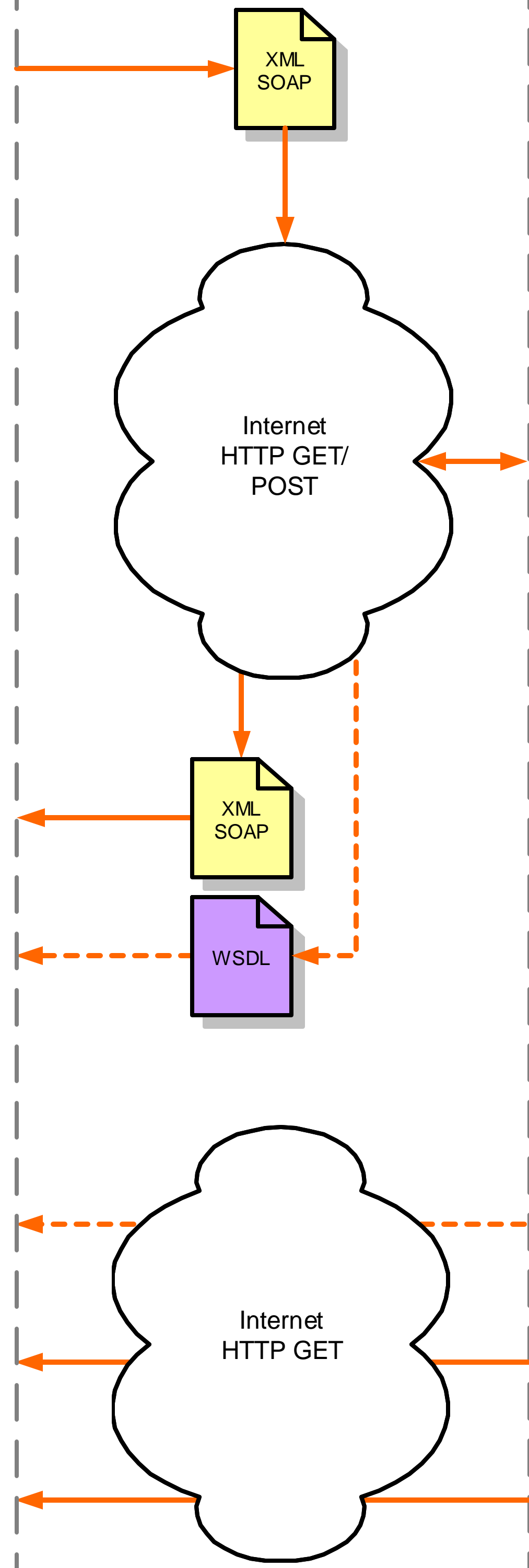
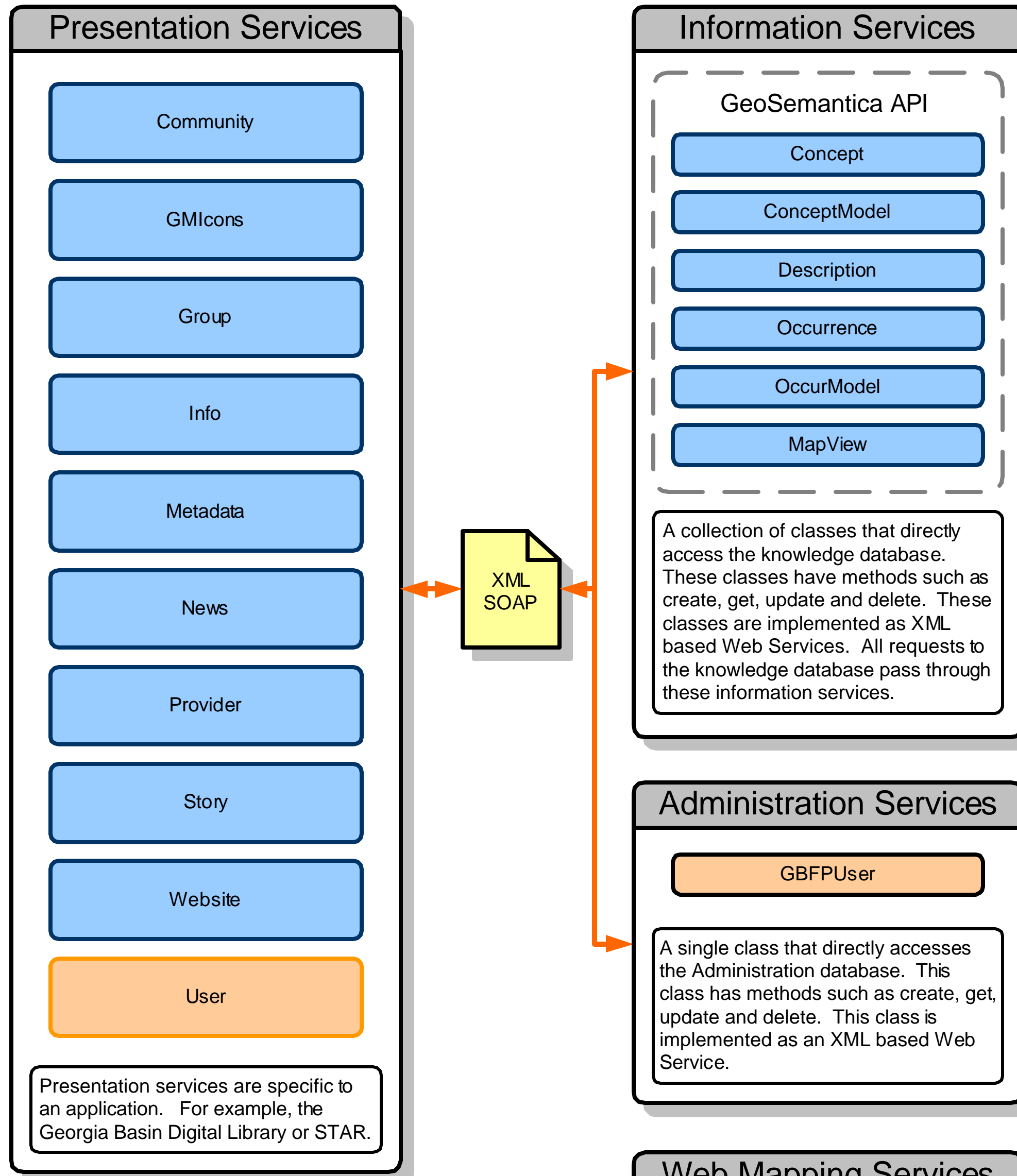


# Presentation Tier

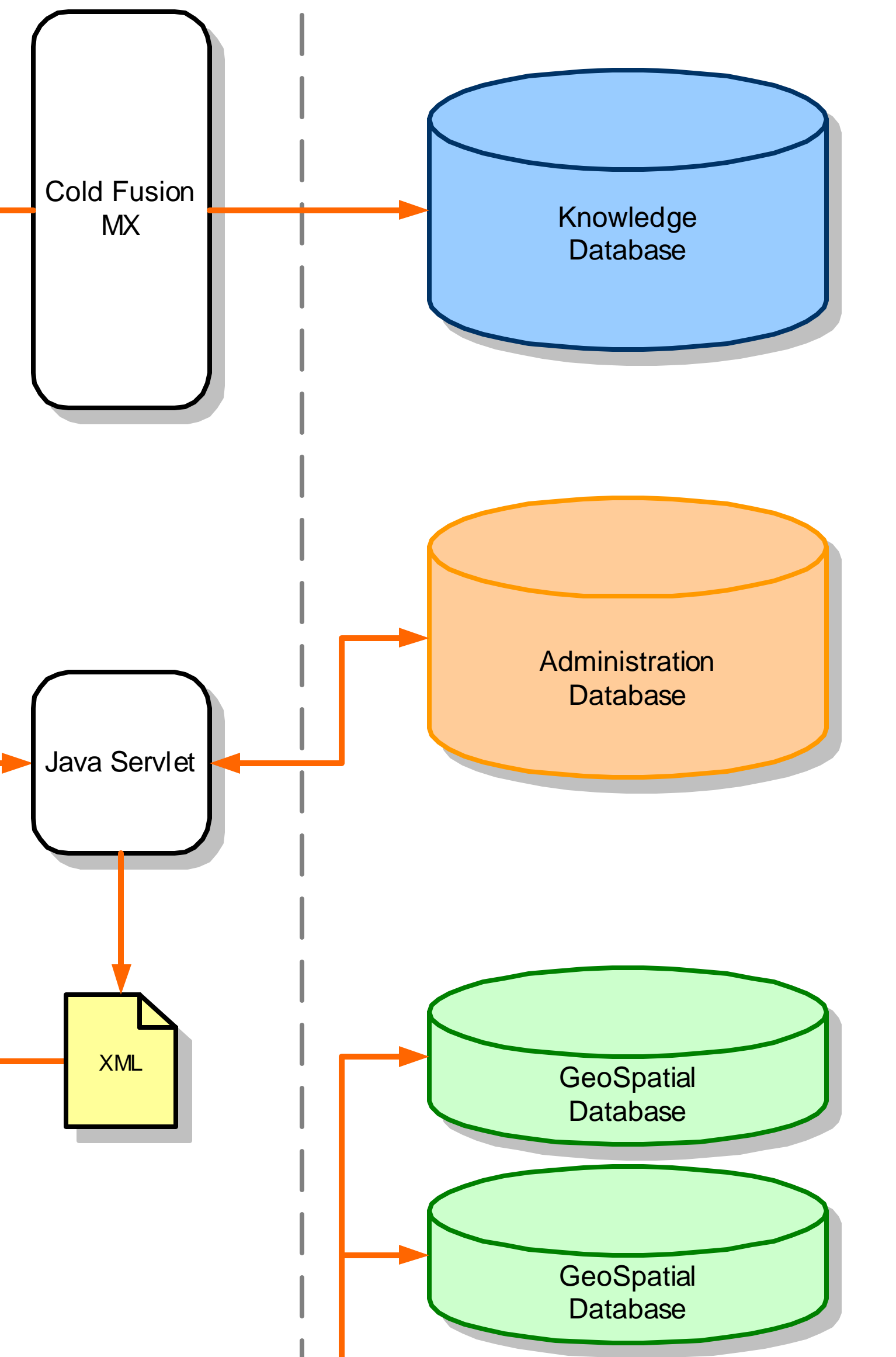


# Services Tier



SOAP interfaces are used for Microsoft .NET service requests. Services exchange information via Web Distributed data Exchange (WDDX) XML structures. These structures can be record sets, arrays, JavaScript or strings.

# Information Tier



The Knowledge database includes all application specific data. The Administration/User database stores user information for all GBFP applications including QUEST and STAR. The GeoSpatial databases represent distributed geospatial data stores which are accessed via OGC compliant Web Mapping Services.

Georgia Basin Digital Library Application Architecture		
GBDL Dev Team	10/29/2002	Version 1.1